

LIGHT TOWER

LIGHT TOWER AL4000



Features

- Full sized, 9.1 m (30 ft) extended height tower.
- 100 km/h wind speed rating for max flexibility on site.
- Plug-in ballasts are installed in galvanized steel boxes.
- Control panel located inside cabinet, protected from the elements.
- Galvanized tower is 359° rotatable for easy aiming from the ground.

- Low maintenance electric winch for ease of operation.
- Spare wheel.
- Forklift pockets & lifting eye make unit easier to load & unload.
- Four extendable outriggers.
- Australian mining configuration designed specifically to meet Australian regulations and mining application requirements.

Light Tower AL4000

Specifications – Standard Unit

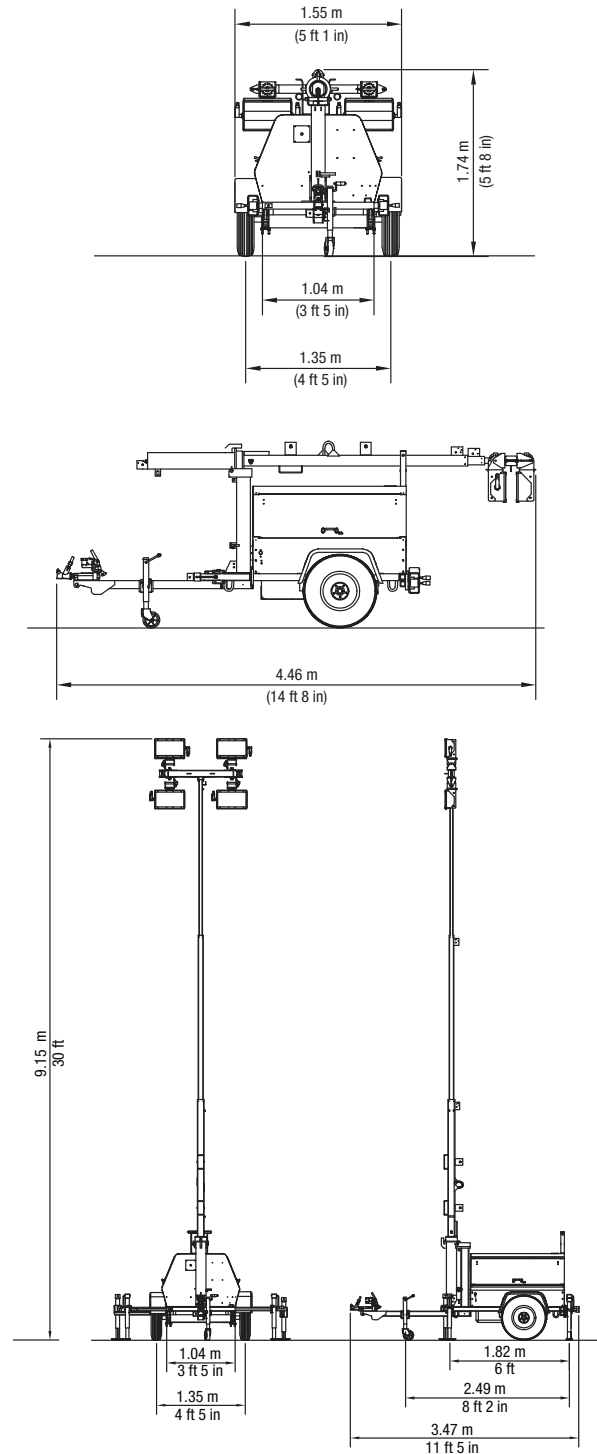
Lamps	Metal halide 4 x 1,000 W
Generator	Brushless 50 Hz, 8.0 kW
Engine	Kubota diesel 13 hp
Fuel capacity	114 L (30 gal)
Wheel size	38 cm (15 in)
Axle rating	1,588 kg (3,500 lbs)
Tongue weight travel position	45 kg (100 lbs)
Total weight no fuel	1109 kg (2,445 lbs)

Optional Equipment

Auto shutdown timer
Fire extinguisher
Mine specification available
240V 15amp single outlet
Lockable battery isolation switch

For more information, product demonstration, or details on purchase or lease plans, please contact your local Genie Sales Representative.

Dimensions



Genie Australia – Toll free number 1800 788 633

Brisbane (Head Office)
33 Kimberley Street
Darra QLD 4076

Sydney
74 Glendenning Road
Glendenning NSW 2761

Melbourne
374 Hammond Road
Dandenong VIC 3175

Perth
83 Bannister Road
Canning Vale WA 6155

Genie United States Distributed by:

18340 NE 76th Street
P.O. Box 97030
Redmond, Washington
98073-9730

Effective Date: April, 2009. Product specifications and prices are subject to change without notice or obligation. The photographs and/or drawings in this document are for illustrative purposes only. Refer to the appropriate Operator's Manual for instructions on the proper use of this equipment. Failure to follow the appropriate Operator's Manual when using our equipment or to otherwise act irresponsibly may result in serious injury or death. The only warranty applicable to our equipment is the standard written warranty applicable to the particular product and sale and we make no other warranty, express or implied. Products and services listed may be trademarks, service marks or trade-names of Terex Corporation, Genie Industries, Inc. and/or their subsidiaries in the U.S.A. and many other countries and all rights are reserved. Terex® is a Registered Trademark of Terex Corporation in the U.S.A. and many other countries. Genie is a Registered Trademark of Genie Industries, Inc. in the U.S.A. and many other countries. Genie is a Terex Company. © 2009 Terex Corporation.