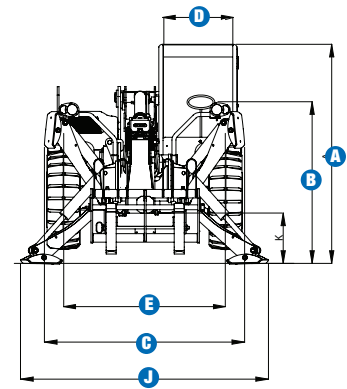
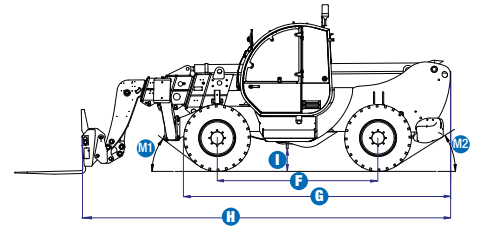


# Specifications

MODEL		GTH™-4514	
MEASUREMENTS	Metric	US	
Lifting height maximum	13.71 m	45 ft	
Lifting height maximum without outriggers	13.56 m	44 ft 50 in	
Lifting capacity maximum	4,500 kg	9,921 lbs	
Lift capacity at maximum height	3,500 kg	7,710 lbs	
Lift capacity at maximum reach	1,250 kg	2,756 lbs	
Forward reach maximum	9.61 m	31 ft 6 in	
Reach at maximum height	0.56 m	1 ft 10 in	
<b>A</b> Height	2.56 m	8 ft 5 in	
<b>B</b> Height at steering wheel	1.60 m	5 ft 3 in	
<b>C</b> Width	2.45 m	8 ft	
<b>D</b> Inside cab width	0.78 m	2 ft 7 in	
<b>E</b> Track	1.98 m	6 ft 6 in	
<b>F</b> Wheelbase	2.85 m	9 ft 4 in	
<b>G</b> Length at front wheels	4.65 m	15 ft 3 in	
<b>H</b> Length at fork-holder plate	6.10 m	20 ft	
<b>I</b> Ground clearance	0.37 m	1 ft 2 in	
<b>J</b> Overall width, outriggers extended	2.95 m	9 ft 8 in	
<b>M1</b> Obstruction angle	33°	33°	
<b>M2</b> Departure angle	29°	29°	



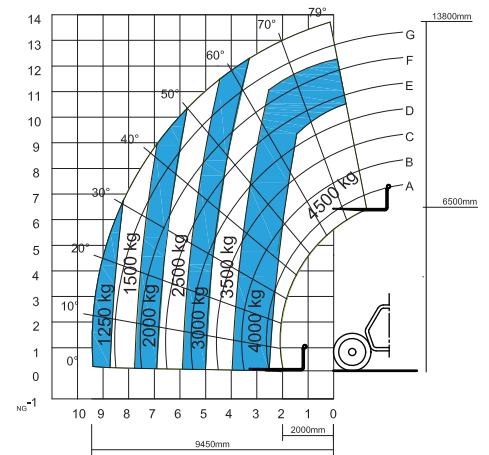
PRODUCTIVITY		
Inside/outside turning radius	2.15 m / 4.50 m	7 ft / 14 ft 9 in
Break out force	7,900 kg	17,417 lbs
(with 800L bucket SAE J 732/80)		
Towing capacity at dynamometer*	8,200 kg	18,078 lbs
Drive speed	35 km/h	22 mph
Fork-holder plate rotation	145°	145°
Chassis levelling on the front axle	+/- 8°	+/- 8°
Floating forks	L 1200 mm Section 120 x 50 mm	L 3 ft 11 in Section 4.7 in x 2 in
Tyres (DIN 70361)	405/70-24" PR14 8-hole wheel ring	
Lifting/lowering speed**	15 / 11 sec	15 / 11 sec
Extension/retraction speed**	22 / 15 sec	22 / 15 sec

POWER		
Engine	Perkins 1104 D-44T turbo diesel 74.5 kW (100 hp), Tier 3	
Tank capacities		
Fuel	135 L	35.7 gal
Engine oil	7 L	1.8 gal
Hydraulic oil	150 L	39.6 gal
Hydraulic output/pressure	95 L/min - 270 bar	25 gal/min - 3,916 psi

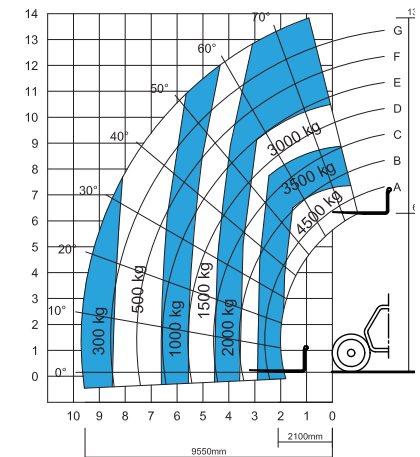
WEIGHT		
Weight****	10,600 kg	23,369 lbs

STANDARDS COMPLIANCE	AS 1418.19, EN 1459 EU Machinery Directive 98/37/CE Operating cab conforms to ISO3471 (ROPS) and ISO3449 (FOPS) Low emission engine conforms to EU Directive
----------------------	---

\* Maximum load  
\*\* Without load  
\*\*\* Weight will vary depending on options and/or country standards  
\*\*\*\* Load ratings vary depending on attachment



Lift capacity chart (with outriggers)\*\*\*\*



Lift capacity chart (without outriggers)\*\*\*\*  
EN1459, Annex B

## Features

### STANDARDS FEATURES

#### MEASUREMENTS

- 4,500 kg (9,921 lbs) maximum lift capacity
- 13.71 m (45 ft) maximum lift height
- 9.61 m (31 ft 6 in) maximum forward reach

#### PRODUCTIVITY

- 4WD
- Four wheel steer
- Three steering modes:
  - Front wheel steer
  - Crab steer
  - Coordinated steer
- Hydraulic line on boom
- Power assisted steering
- Front outriggers
- Hydrostatic transmission with variable displacement pump and motor electronically controlled
- Two-speed mechanical gearbox
- Multifunction electro-proportional joystick
- Limited slip differential on front axle
- Chassis levelling on front axle +/- 8°
- Floating forks
- Quick coupling of attachments from cab
- Two-section door (glass upper/steel lower)
- Angle and length indicators on boom
- Adjustable suspended seat
- Large diameter steering wheel
- Front and rear windscreen wipers
- Sunshield
- Roof protection grid
- Two side rear view mirrors
- Front and rear lights
- Windshield protection grid
- Side mounted engine for easy access to components
- Oil immersed multi-disc brake on both axles
- Lockable fuel tank

### STANDARDS FEATURES cont.

- Load Management System (LMS) with:
  - Visible display with coloured LEDs
  - Audible alarm
  - Automatic lock-out of boom extension, lifting and lowering
  - Automatic lock-out of outriggers
- Control enable switch
- Automatic oscillation lock-out on rear axle
- Electrical inching brake pedal activated
- Boom safety strut
- Hydraulic inching
- Road/Jobsite switch

#### POWER

- Perkins turbo diesel 74.5 kW (100 hp)

#### TYRES

- 405/70-20" tyres

### OPTIONS & ACCESSORIES

#### PRODUCTIVITY

- Air conditioning
- Additional rear view mirror
- Adjustable spotlight on cab
- Adjustable spotlight on boom
- Hydraulic winch pre-arrangement on boom
- Man-platform / Emergency hydraulic pump pre-arrangement
- Spare wheel
- Rear wheels alignment sensor
- AM/FM radio with CD player

#### ATTACHMENT OPTIONS

Genie has a large range of attachments available. Please contact Genie or your nearest Genie telehandler dealer.



### Genie Australia – Toll free number 1800 788 633

**Brisbane (Head Office)**  
33 Kimberley Street  
Darra QLD 4076

**Sydney**  
74 Glendenning Road  
Glendenning NSW 2761

**Melbourne**  
374 Hammond Road  
Dandenong VIC 3175

**Perth**  
83 Bannister Road  
Canning Vale WA 6155

### Genie United States Distributed by:

18340 NE 76th Street  
P.O. Box 97030  
Redmond, Washington  
98073-9730