

**LIGHT TOWER****LIGHT TOWER  
AL4000****Features**

- Full sized, 9.1 m (30 ft) extended height tower.
- 100 km/h wind speed rating for max flexibility on site.
- Plug-in ballasts are installed in galvanized steel boxes.
- Control panel located inside cabinet, protected from the elements.
- Galvanized tower is 359° rotatable for easy aiming from the ground.

- Low maintenance electric winch for ease of operation.
- Spare wheel.
- Forklift pockets & lifting eye make unit easier to load & unload.
- Four extendable outriggers.

# Light Tower AL4000

## Specifications – Standard Unit

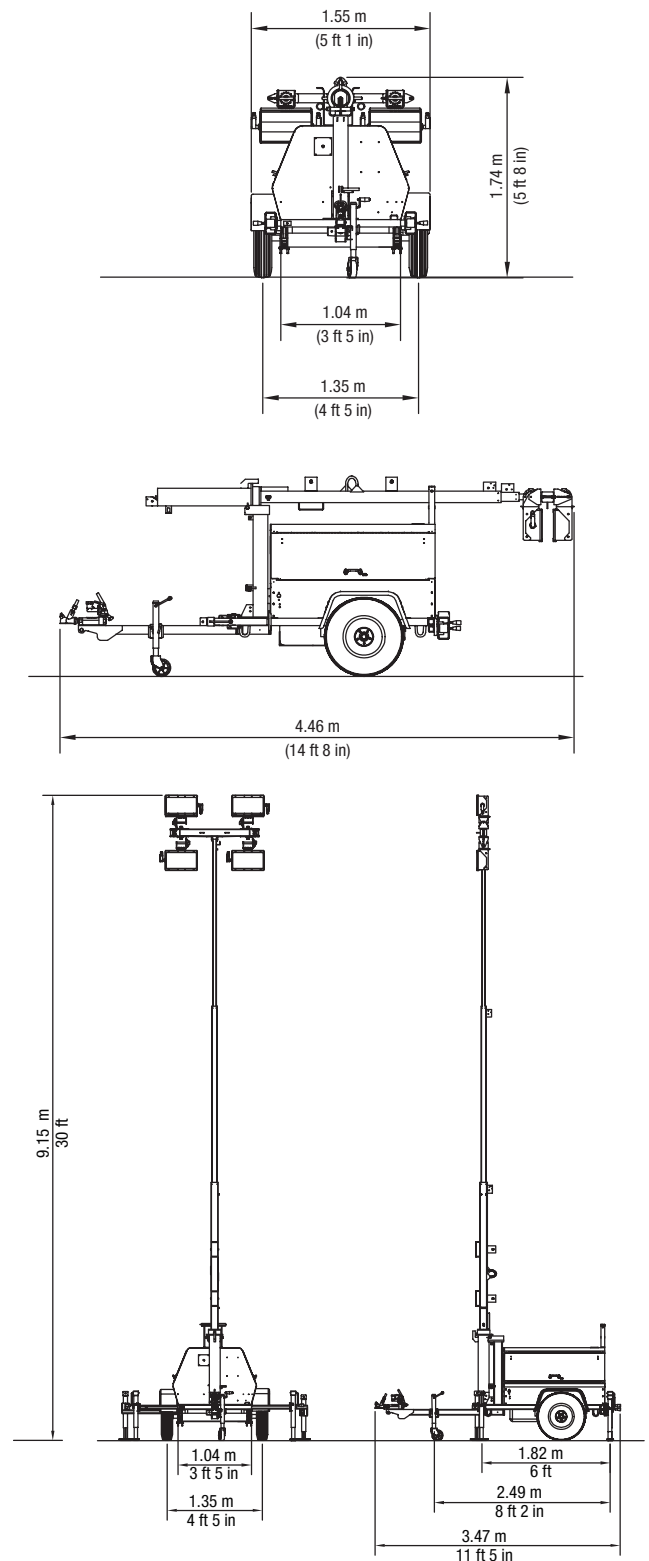
Lamps	Metal halide 4 x 1,000 W
Generator	Brushless 50 Hz, 6.5 kVA
Engine	Kubota diesel 13 hp
Fuel capacity	114 L (30 gal)
Wheel size	38 cm (15 in)
Axle rating	1,588 kg (3,500 lbs)
Tongue weight travel position	45 kg (100 lbs)
Total weight no fuel	1109 kg (2,445 lbs)

## Optional Equipment

Auto shutdown timer
Fire extinguisher
Mine specification available
240V 15amp single outlet
Lockable battery isolation switch

For more information, product demonstration, or details on purchase or lease plans, please contact your local Genie Sales Representative.

## Dimensions



Effective Date: April 2012. Product specifications and prices are subject to change without notice or obligation. The photographs and/or drawings in this document are for illustrative purposes only. Refer to the appropriate Operators' Manual for instructions on the proper use of this equipment. Failure to follow the Operators Manual when using our equipment or to otherwise act irresponsibly may result in serious injury or death. The only warranty applicable to our equipment is the standard written warranty applicable to the particular product and sale and we make no other warranty, express or implied. Products and services listed may be trademarks, service marks, or trade names of Terex Corporation, Terex South Dakota, Inc., and/or their subsidiaries in the USA and other countries. All rights reserved. Terex is a registered trademark of Terex Corporation in the USA and many other countries. Genie is a registered trademark of Terex South Dakota, Inc. in the USA and many other countries. ©2009 Terex Corporation.